



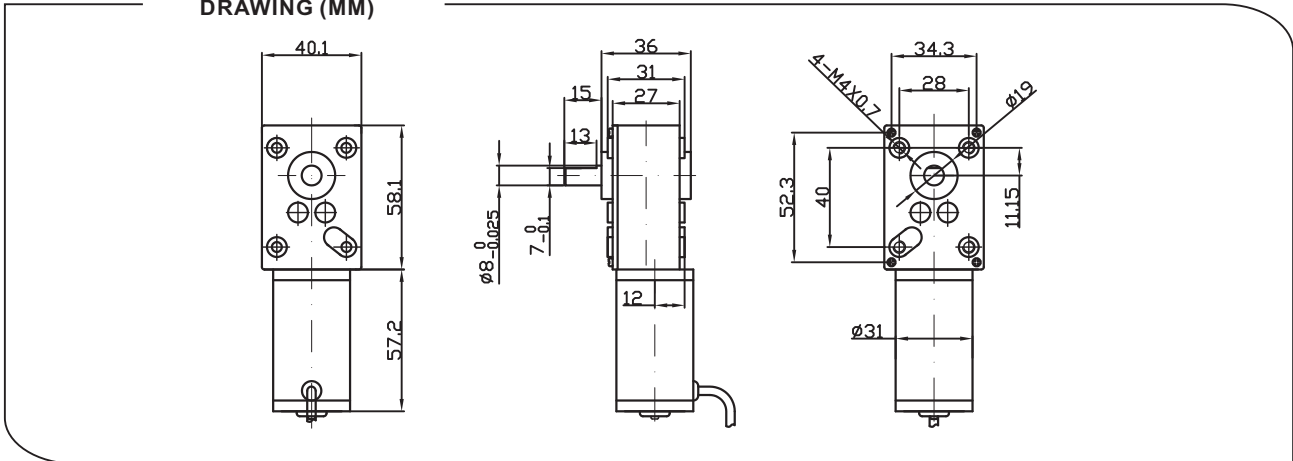
## DSD-58SW31ZY DC WORM GEAR MOTOR

典型应用/Typical applications :

自动快锁门、装订机、自动电视架、点钞机、聚光灯、卫生纸机、办公设备、家用电器、自动执行机构

Auto shutter, binding machine, automatic TV rack, money counter, spot light, tissue machine, office equipments, household appliances, automatic actuator

DRAWING (MM)



### 齿轮箱参数/GEARBOX DATA:

级数 Reduction stage	3	4	5
减速比 Reduction ratio	52K, 73K, 109K 224K, 254K	519K, 633K	2039K
齿轮箱长度 Gearbox length "L" mm	31	31	31
齿轮箱效率 Gearbox efficiency	73%	65%	59%

### 电机参数/MOTOR DATA:

电机型号 Motor model	额定电压 Rated voltage	空载/No load		负载/Load				堵转/Stall	
		电流	转速	电流	转速	扭矩	功率	扭矩	电流
		Current	Speed	Current	Speed	Torque	Output	Torque	Current
	V	mA	rpm	mA	rpm	gf. cm	W	gf. cm	mA
DSD-31ZY0125500	12	≤180	5500	≤750	4100	130	5.5	≥520	≥3500
DSD-31ZY0127000	12	≤250	7000	≤1300	5200	200	10.9	≥760	≥5000
DSD-31ZY0129000	12	≤300	9000	≤1500	6700	300	21.0	≥1200	≥6500
DSD-31ZY0243500	24	≤100	3500	≤220	2600	90	2.5	≥360	≥850
DSD-31ZY0245500	24	≤160	5500	≤320	4100	130	5.6	≥520	≥1700

电机参数谨供参考, 请以实际样板为准。

The motor data are for reference only, real samples may be with different specifications.

齿轮箱电机输出扭矩: 电机输出扭矩 x 减速比 x 齿轮箱效率; 齿轮箱电机输出转速: 电机输出转速 / 减速比。

Output torque of gear motor: output torque of motor x reduction ratio x gearbox efficiency;

Output speed of gear motor: output speed of motor / reduction ratio.