



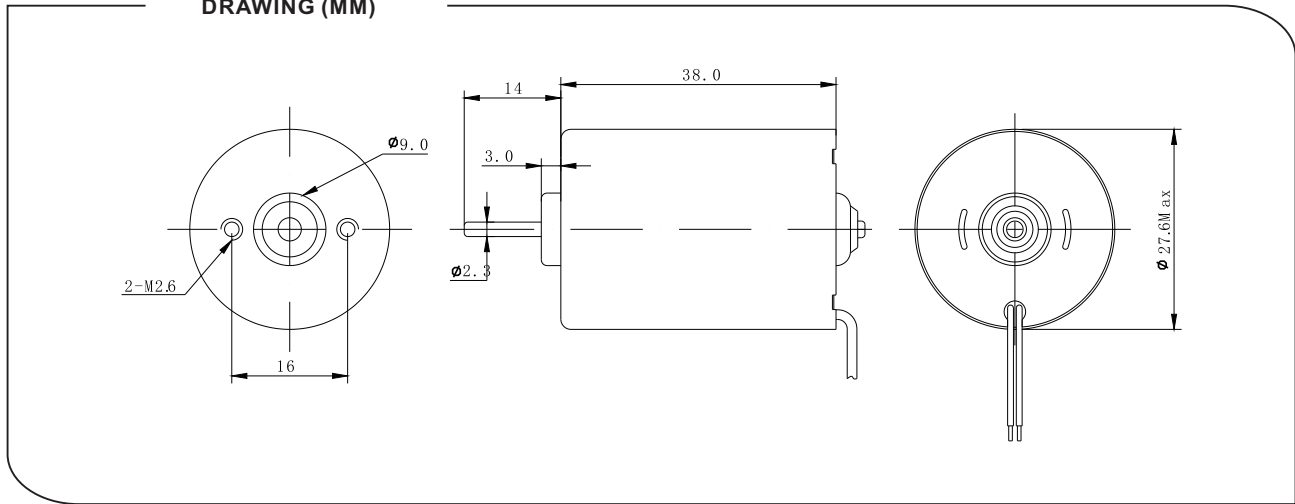
DSD-BL2838 DC BRUSHLESS MOTOR

典型应用/Typical applications:

空气泵、医疗设备、打印机、电动窗帘、阀门、按摩器、电吹风、风扇、电钻。

Air pump, medical devices, printer, electric curtain, electric valve, massager, hair dryer, fan, electric drill.

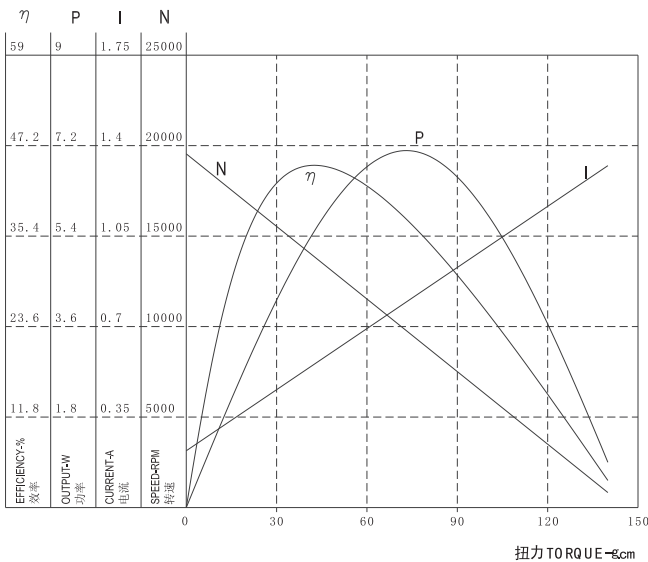
DRAWING (MM)



MODEL 型号	OPERATING RANGE 工作范围	NORMINAL VOLTAGE 工作电压	AT NO LOAD 空载		AT MAX. EFFICIENCY 最大效率					AT MAX. OUTPUT 最大功率					STALL/堵转	
			SPEED 转速	CURRENT 电流	SPEED 转速	CURRENT 电流	TORQUE 扭力	OUTPUT 功率	EFFICIENCY 效率	SPEED 转速	CURRENT 电流	TORQUE 扭力	OUTPUT 功率	EFFICIENCY 效率	CURRENT 电流	TORQUE 扭力
	V	V	RPM	A	RPM	A	g. cm	W	%	RPM	A	g. cm	W	%	A	g. cm
DSD-BL2838-0060201	5.0~12.0	12.0	6300	0.14	4410	0.32	29.3	1.32	34.51	3150	0.44	48.8	1.57	29.88	0.74	97.7
DSD-BL2838-0120201	9.0~15.0	24.0	20100	0.22	14271	0.54	41.3	6.05	46.64	10050	0.77	71.2	7.34	39.63	1.33	142.6
DSD-BL2838-0240201	9.0~28.0	24.0	19000	0.22	13490	0.54	42.5	5.87	45.24	9500	0.77	73.2	7.13	38.4	1.32	146.4
DSD-BL2838-0120301	6.0~14.0	12.0	11000	0.2	8910	0.895	87.1	7.959	74	5500	2.03	229.2	12.93	52.98	3.86	458

DSD-BL2838-024201

24V



Functions and Features 功能特性:

- Three-phase bipolar drive 三相驱动
- The motor has over current protective function 电机具有过流保护功能
- Terminal for output signal of motor revolution 马达转速信号输出