

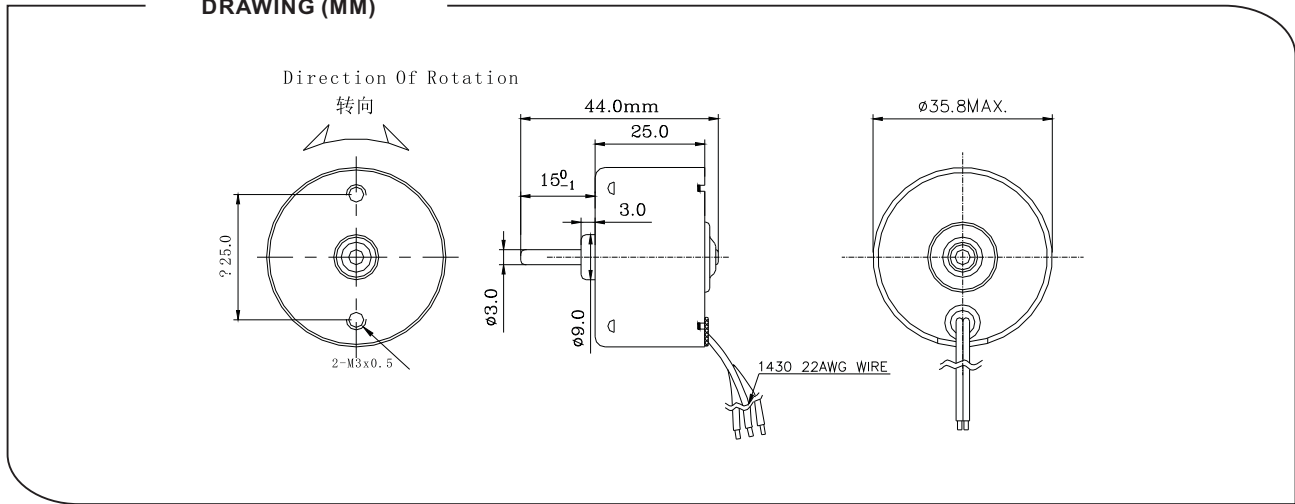
DSD-BL3625 DC BRUSHLESS MOTOR

典型应用/Typical applications:

空气泵、医疗设备、打印机、电动窗帘、阀门、按摩器、电吹风、风扇、电钻。

Air pump, medical devices, printer, electric curtain, electric valve, massager, hair dryer, fan, electric drill.

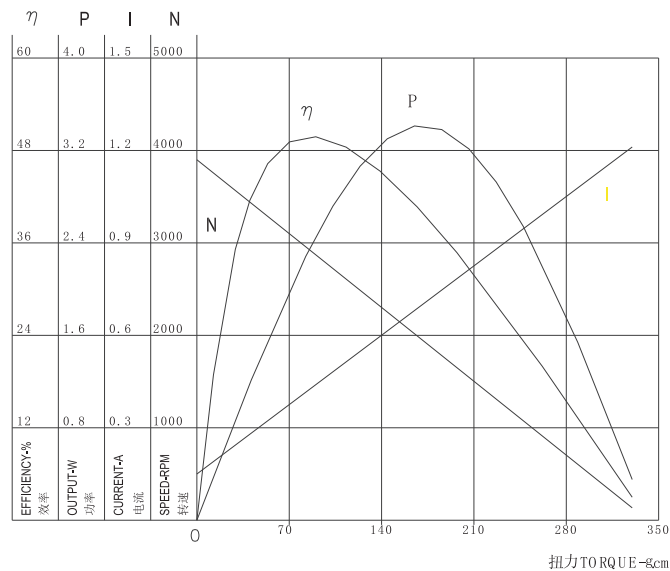
DRAWING (MM)



MODEL 型号	OPERATING RANGE 工作范围	NORMINAL VOLTAGE 工作电压	AT NO LOAD 空载		AT MAX.EFFICIENCY 最大功率					AT MAX.OUTPUT 最大功率				STALL/堵转		
			SPEED 转速	CURRENT 电流	SPEED 转速	CURRENT 电流	TORQUE 扭力	OUTPUT 功率	EFFICIENCY 效率	SPEED 转速	CURRENT 电流	TORQUE 扭力	OUTPUT 功率	EFFICIENCY 效率	CURRENT 电流	TORQUE 扭力
	V	V	RPM	A	RPM	A	g. cm	W	%	RPM	A	g. cm	W	%	A	g. cm
DSD-BL3625-0060301	5.0~12.0	6.0	2380	0.12	1618	0.26	43.7	0.72	46.52	1190	0.33	68.3	0.83	41.01	0.56	136.7
DSD-BL3625-0120301	6.0~15.0	12.0	3900	0.15	2886	0.44	88.9	2.63	49.84	1950	0.70	171.0	3.42	40.26	1.26	342.0
DSD-BL3625-0120302	6.0~15.0	12.0	3140	0.08	2386	0.25	70.5	1.73	59.10	1570	0.42	146.7	2.36	46.90	0.76	293.5
DSD-BL3625-0240301	18.0~26.0	24.0	4400	0.09	3212	0.25	98.8	3.26	54.25	2200	0.38	183.0	4.13	44.50	0.66	366.1

DSD-BL3625-0120301

12V



Functions and Features 功能特性:

- Three-phase
Three-phase bipolar drive 三相驱动
- CW/CCW Select: High=CW/Low=CCW
正转/反转选择 高电平正转, 低电平反转
- Start/Stop Control: High=Start/Low=Stop
- PWM Input: $f_{in} = 20\text{HZ} \sim 100\text{HZ}$
Duty Cycle=55% to 95%
- The motor has over current protective function
电机具有过流保护功能
- Terminal for output signal of motor revolution
马达转速信号输出