

(Encoders) ME-32

- 双向霍尔作用译码器
Two Channel Hall Effect Encoder
- ★ 使用相对湿度: 20%~85%RH
Operating relative humidity
- ★ 使用温度范围: -40°C~+85°C
Operating temperature range



APPEARANCE SIZE

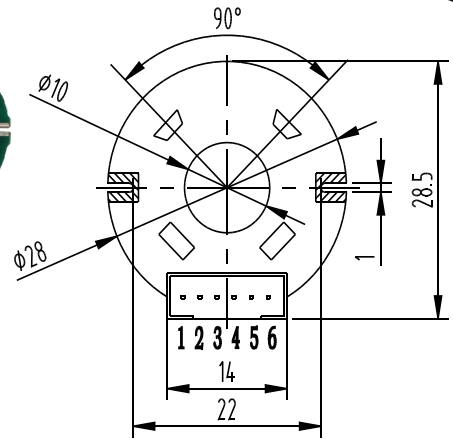
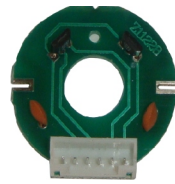


接口:
JST PHR-6
P=2.0-6P

Two Channel Encoder
Connections :

1. MOTOR-
2. MOTOR+
3. HALL SENSOR Vcc
4. HALL SENSOR GND
5. HALL SENSOR A Vout
6. HALL SENSOR B Vout

- *此译码器主要安装在MR-36ZY电机上.
- *The encoder mainly install on the Motor of MR-36ZY
- *每周输出3PPR, 7PPR, 12PPR, 13PPR
- *Each turn output 3PPR,7PPR,12PPR,13PPR

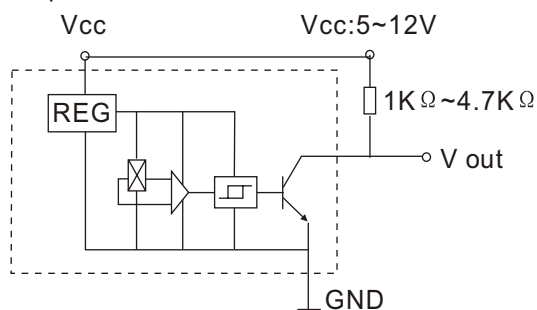


ELECTRICAL CHARACTERISTICS

At $V=4.5V$ to $24V$ with $20mA$ load with $T_a=-40^{\circ}C$ to $125^{\circ}C$ [$-40^{\circ}F$ to $257^{\circ}F$] unless otherwise noted.

| 规格特性 CHARACTERISTICS | 代号 SYMBOL | 测试条件 TEST CONDITIONS | 极小 MIN | 基本 REF | 最大 MAX | UNITS |
|---------------------------------|--------------|-------------------------|-----------|-----------|-----------|-------|
| 输入电压 Supply Voltage | Vcc | --- | 4.5 | -- | 24 | V |
| 输入电流 Supply Current | Icc | --- | -- | 14 | 20 | mA |
| 输出电流 Output Current | Ic | Vce=12V; Gauss<-170 | -- | <0.1 | 20 | mA |
| 输出漏电流 Output Leakage Current | Icex | Output open;25°C[77°F] | -- | -- | 10 | μA |
| 输出上升时间 Output Rise Time | Tr | RL=820Ω; CL=20pF;25°C | -- | 0.5 | 1.5 | μS |
| 输出下降时间 Output Fall Time | Tf | RL=820Ω; CL=20pF;25°C | -- | 0.2 | 1.5 | μS |

**输出电路
Output Circuit**



**输出波形
Output Wave**

